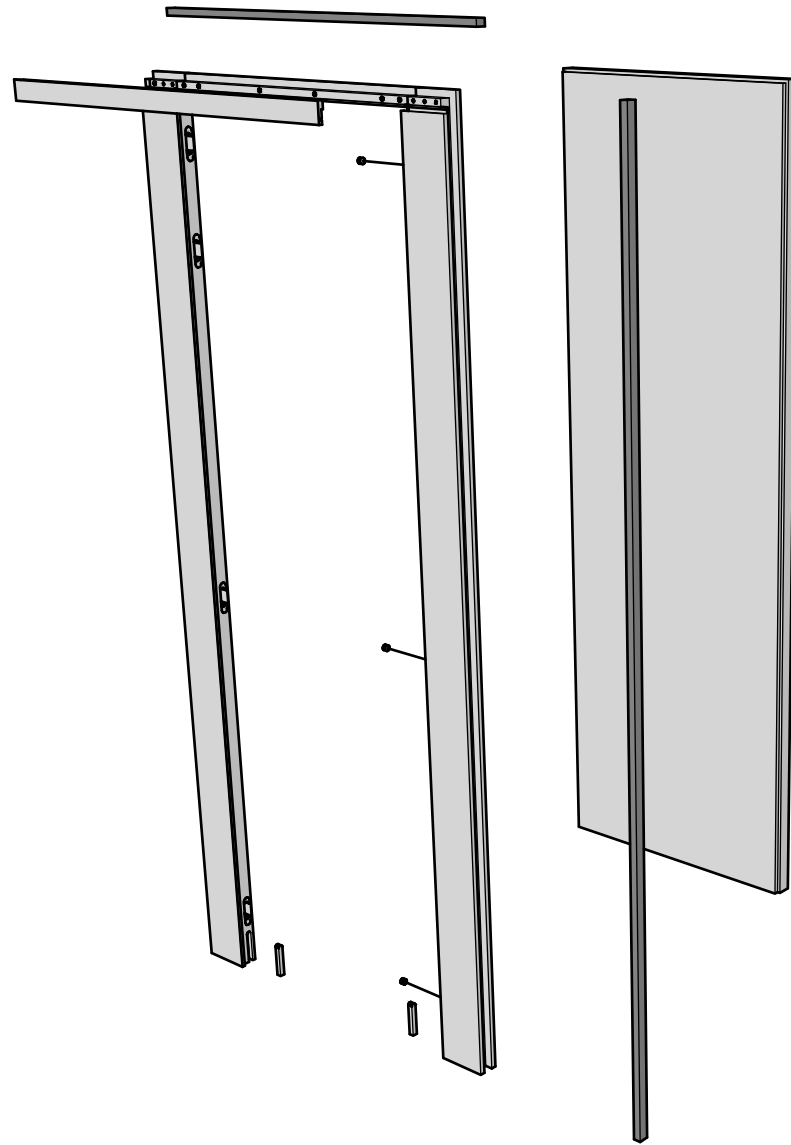
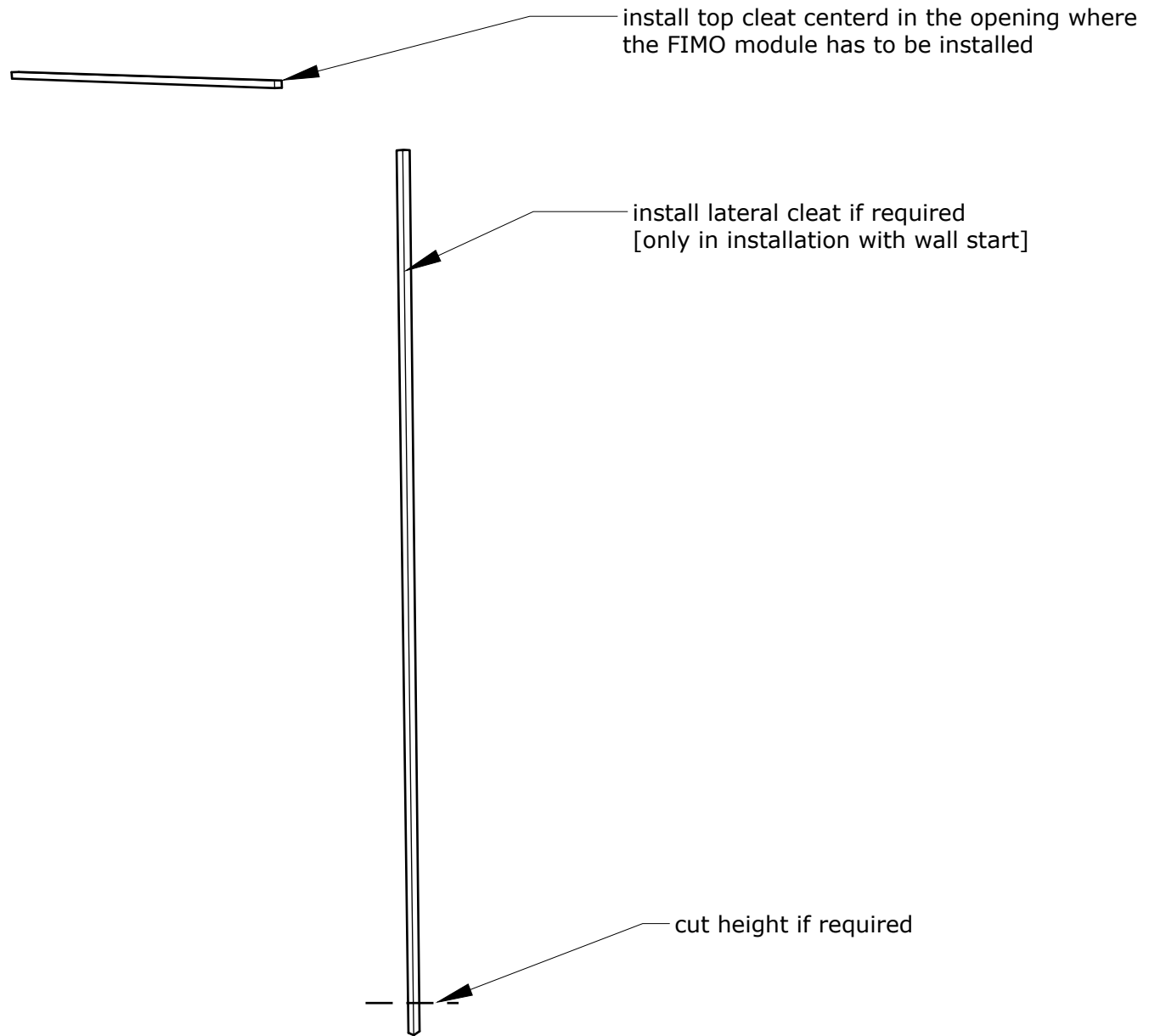


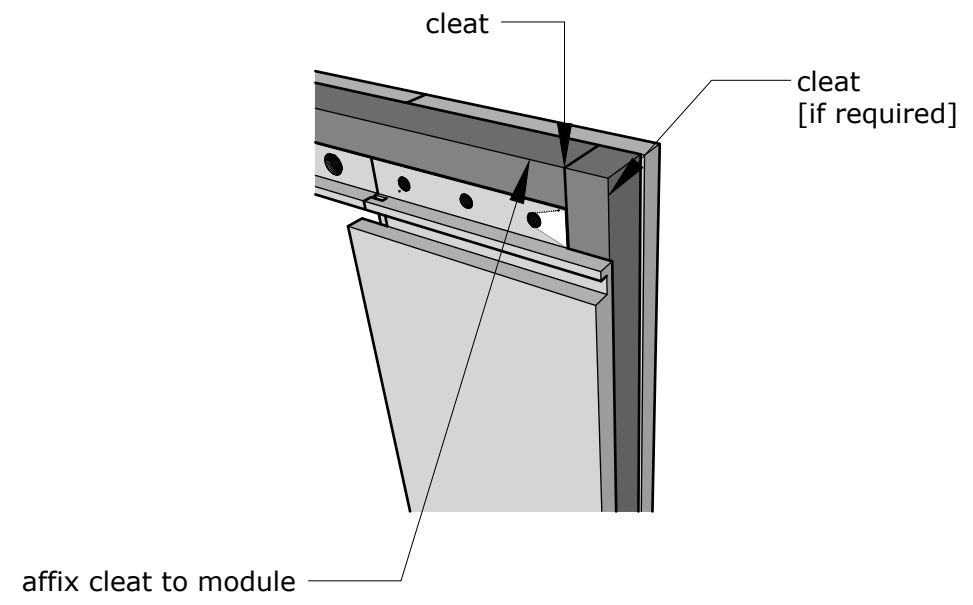
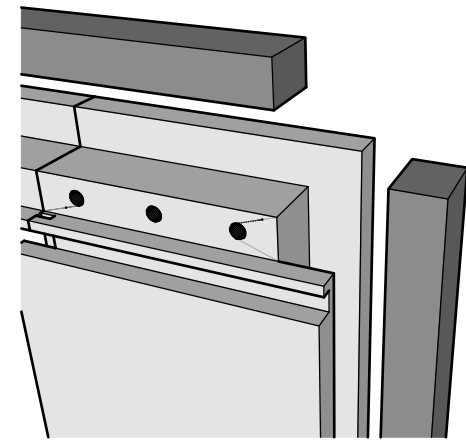
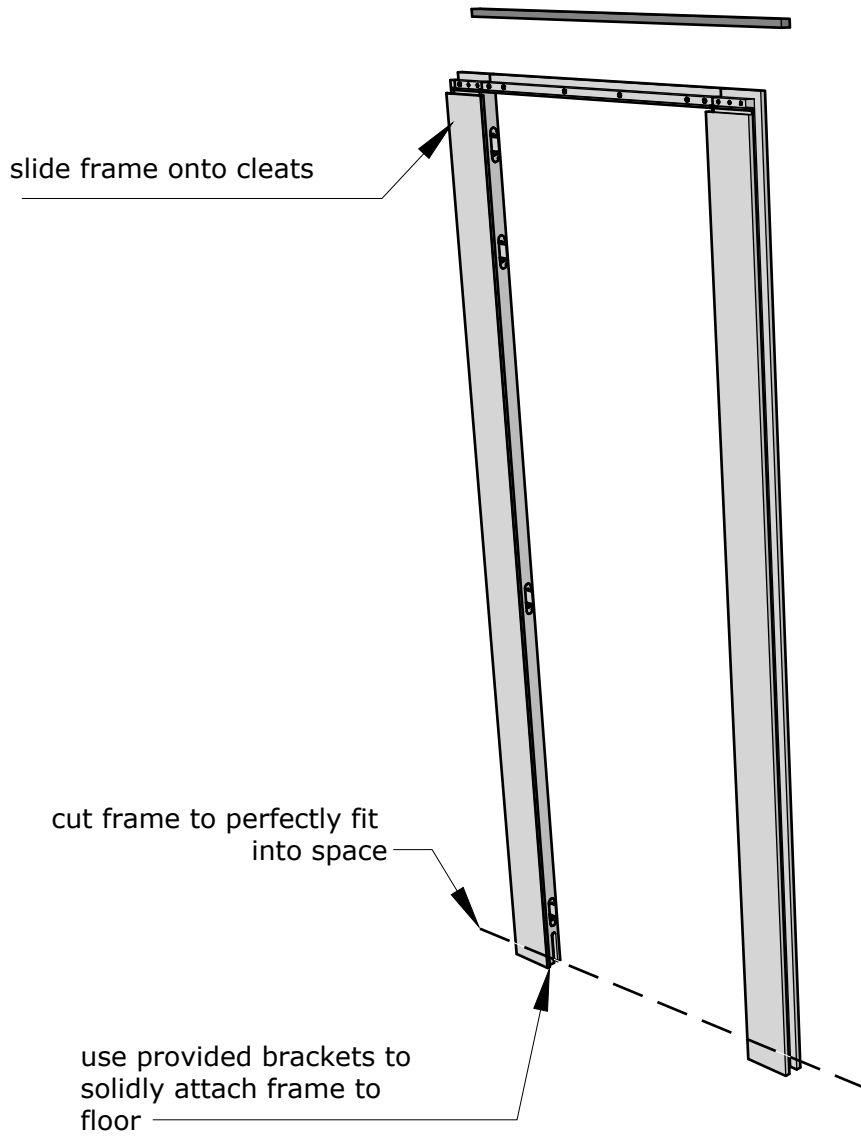
# LAMA INSTALLATION INSTRUCTIONS



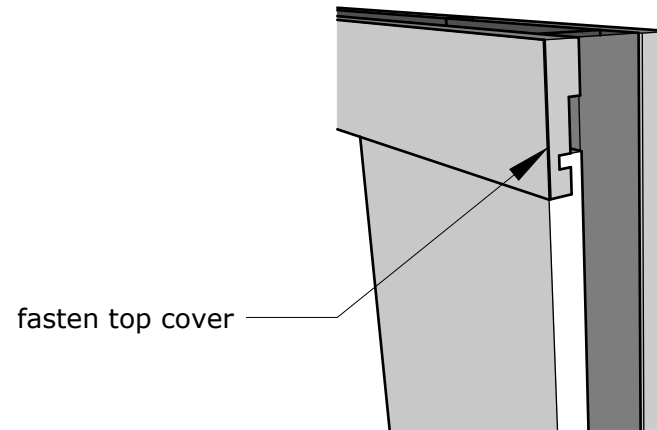
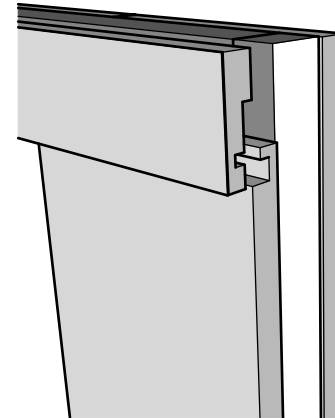
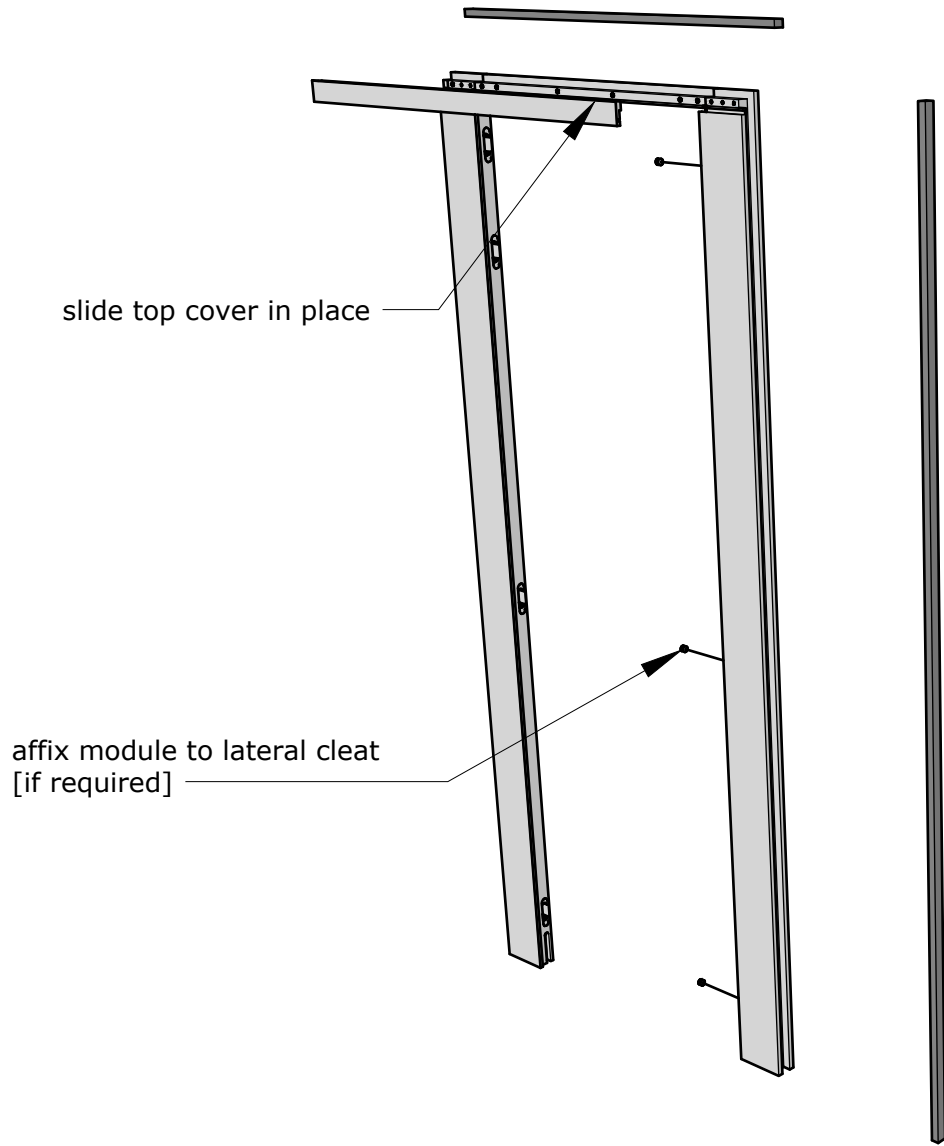
# LAMA INSTALLATION INSTRUCTIONS



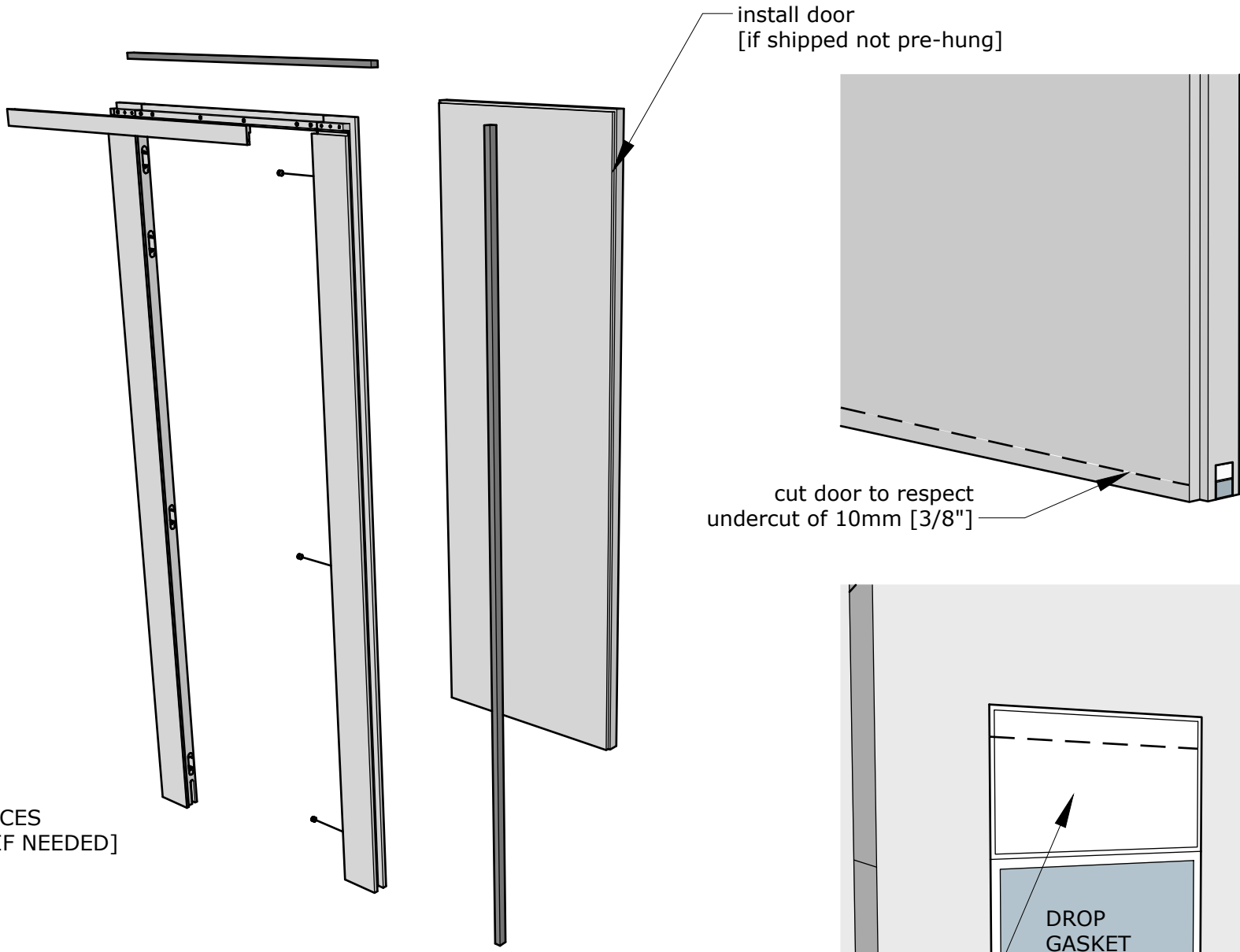
# LAMA INSTALLATION INSTRUCTIONS



# LAMA INSTALLATION INSTRUCTIONS



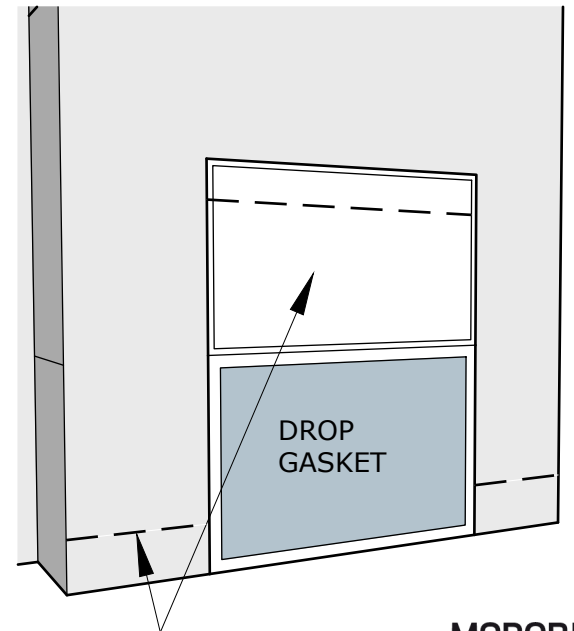
# LAMA INSTALLATION INSTRUCTIONS



## CUTS REQUIRED:

- DOOR FRAME
- DOOR PANEL
- DROP GASKET SPACES
- VERTICAL CLEAT [IF NEEDED]

remove spacer from drop seal groove and cut it of the same amount that was cut from bottom of door panel.  
Install drop gasket into groove



# LAMA INSTALLATION INSTRUCTIONS

